

CERTIFICATE OF REGISTRATION

NAME: Pointer Ridge Baby Ruth

NUMBER: 010393

SEX: BULL

LEFT ID:

DATE OF BIRTH: 04/16/2019

COLOR: White

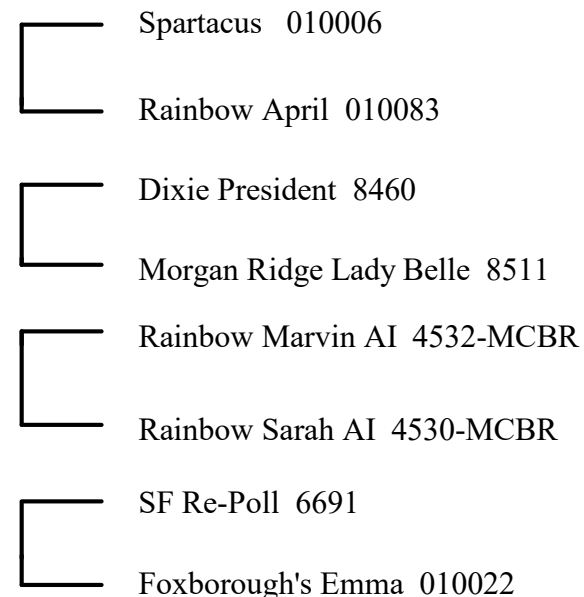
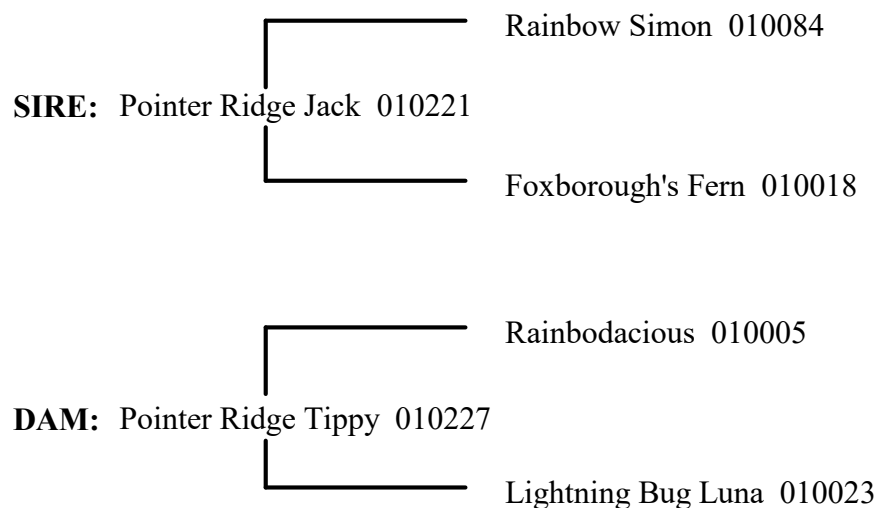
HORNED

RIGHT ID:

PARENTAGE DNA:

BREEDING: PASTURE PHA: Non-Carrier

PARENTAGE DNA: G1 no genotype on file G2 genotype on file G3 sire qualifies G4 dam qualifies G5 sire and dam qualify



THIS IS TO CERTIFY that the animal described above has been accepted for the White Dexter Cattle herd book. This certificate is issued in full reliance upon the truth of the statements contained in the application file therefor, but in no event is it to be deemed a guarantee by the Association of the breeding of this animal.

Bred By:
Dennis L Salyers
384 Private Drive 355
Ironton,OH 45638

Owner #1002

Owner:
Dennis L Salyers
384 Private Drive 355
Ironton,OH 45638

Owner #1002

WHITE DEXTER CATTLE

Registrar

Date of Issue: June-20-2019

If ownership is transferred this certificate is to be endorsed on the reverse side and mailed to the Registrar with the proper fee.